

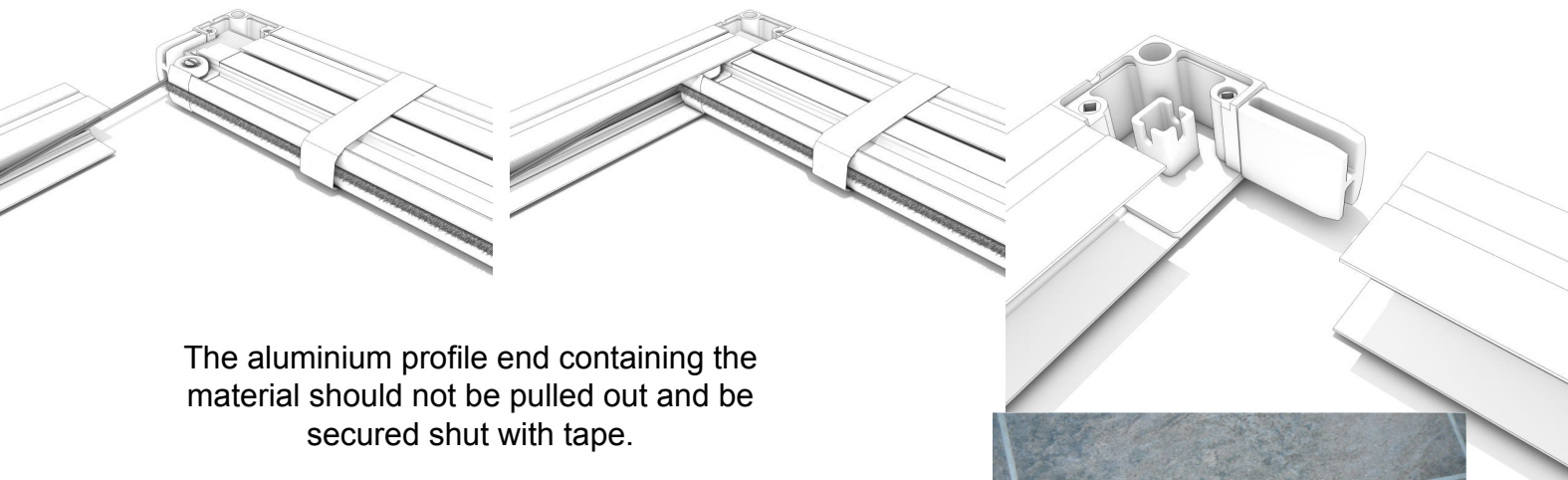
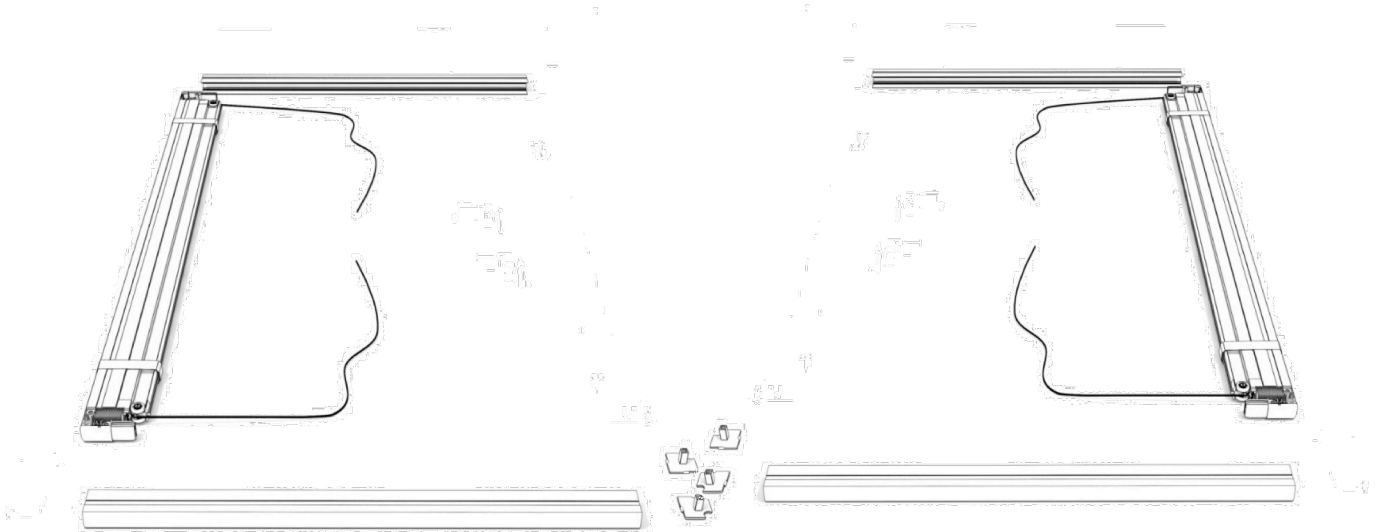
Bi Fold 8m

See <https://www.flyscreenqueen.co.uk/flyscreen-doors/bi-fold-instructions.html>

Please note that if you need to alter the height of this screen it must first be disassembled so that the mesh can be cut separately from the aluminium profile.

PLEASE NOTE THAT THE 8m FOLDING MATERIAL CANNOT BE REDUCED IN WIDTH.

Here is how to unpack and assemble. **DO NOT CUT THE CORD AT ANY STAGE**
Construct the frame on a flat surface.

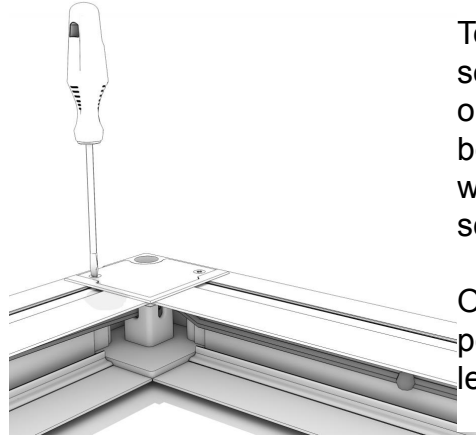
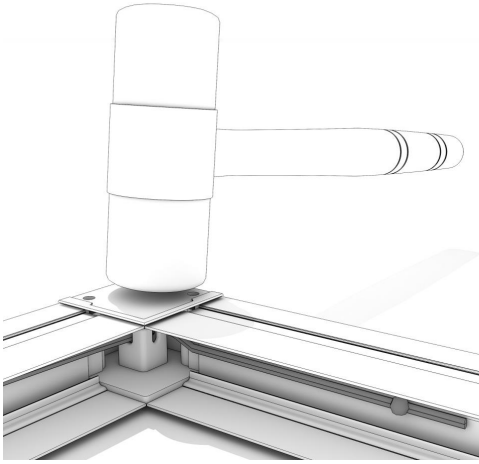


The aluminium profile end containing the material should not be pulled out and be secured shut with tape.

For Screens 3m+ wide join the 4 extra profiles (top and bottom) use the supplied metal bracket and screws.

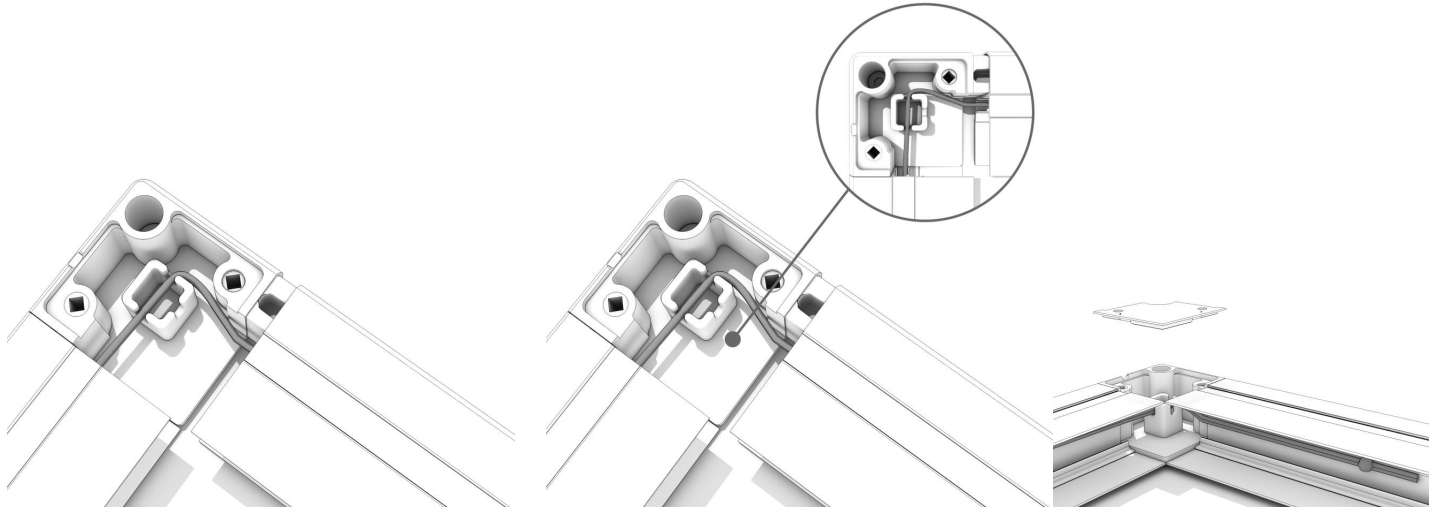


Tap the corners into the end of the profiles.



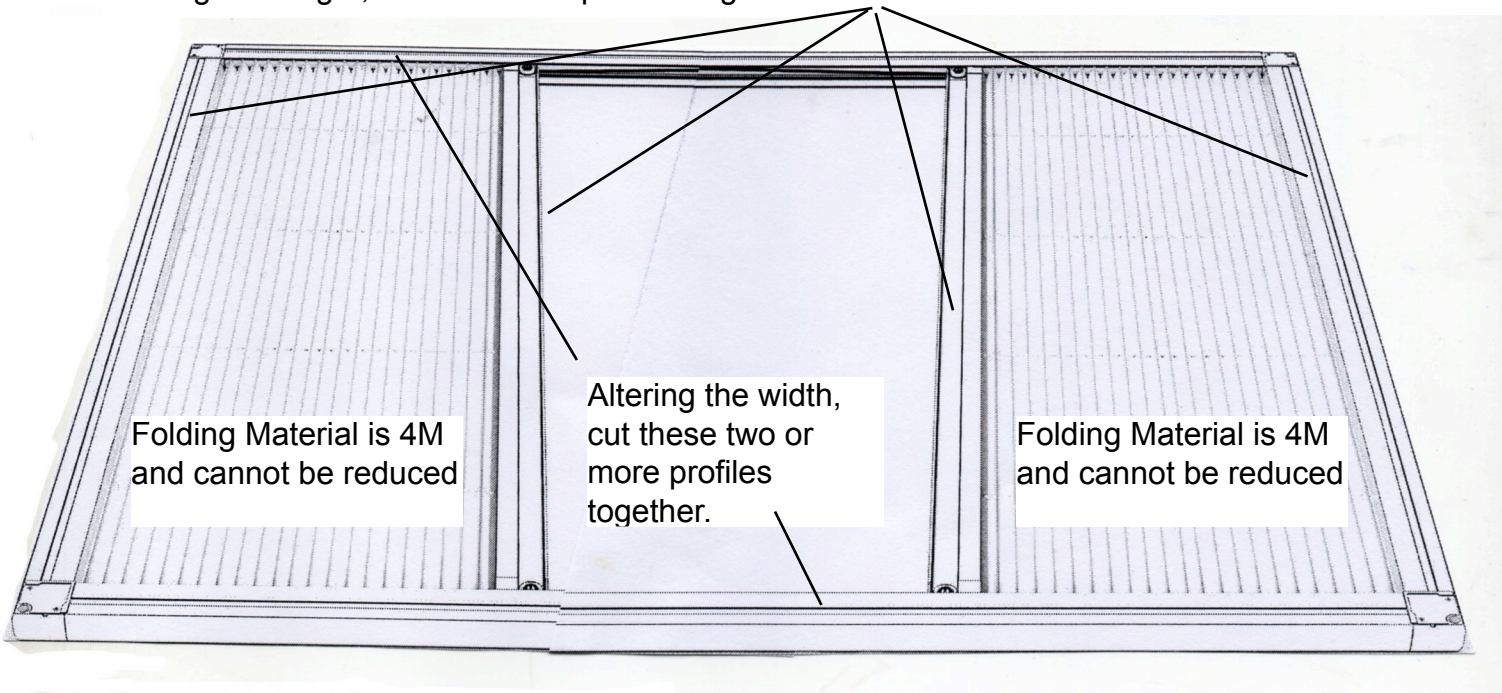
Tension the cord by securing them at the opposite corners top and bottom and hold in position with the corner cover and screw in place.

Once completed lift into position, this requires at least two people.



Screw the corners into the door frame. Only then release the tape and pull the screen to the shut position.

Altering the height, cut these four profiles together.



Altering the height, cut these three profiles together. Then construct the frame without the screen to ensure it fits around the doorway.

To alter the width of the screen cut the top and bottom profiles to the required width. Always allow for the corners which measure 4cm each.

To alter the height of the screen it must first be taken apart because the mesh must be cut separately from the aluminium profile. The height can only be reduced by 30cm at either end of the screen.

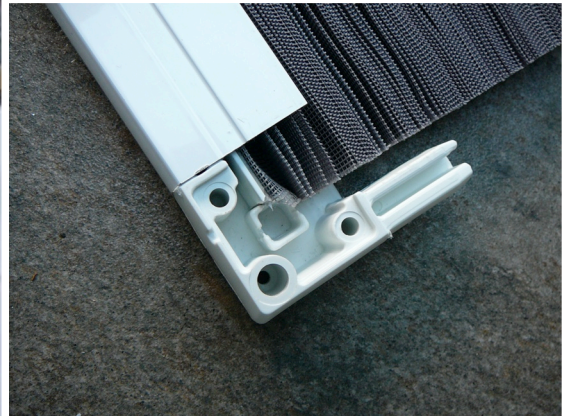
Remove one corner and one wheel from each profile and carefully slide out the mesh screen.



Cut the metal profiles 4cm less than the required height to allow for the corners.
Cut the mesh screen 3cm less than the required height.



Cut the white plastic backing on the mesh screen with scissors by 0.5cm on both sides so that it will sit in the corners correctly.



DO NOT CUT THE CORD

Re insert the mesh screen back into the profiles and reattach the corners and wheels. Please ensure that the cords are pulled taut and not caught in any way as this will stop the door from working effectively.

Once it is fitted and operating as you wish, only then should you cut any excess cord.

Parts List
Metal Joining Brackets for top and bottom profiles

Four fixing screws for corners

Covers for the corners

Corners x 4

Wheels already fitted you will have spares

