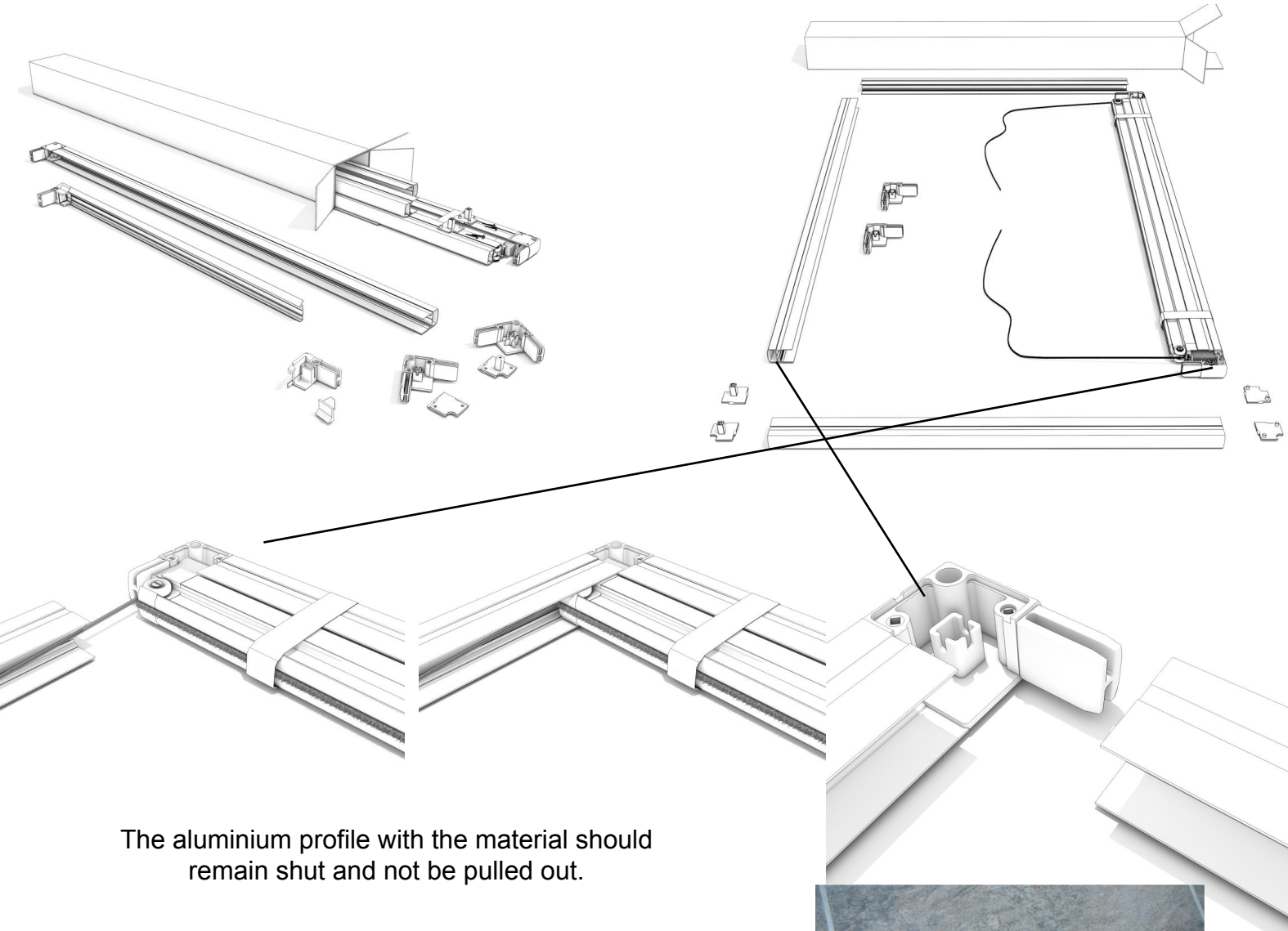


Bi Fold 4m

See <https://www.flyscreenqueen.co.uk/flyscreen-doors/bi-fold-instructions.html>

Please note that if you need to alter the height of this screen it must first be disassembled so that the mesh can be cut separately from the aluminium profile, please see page 3 . PLEASE NOTE THAT THE 4m FOLDING MATERIAL CANNOT BE REDUCED IN WIDTH.

Here is how to unpack and assemble. DO NOT CUT THE CORD AT ANY STAGE
Construct the frame on a flat surface.

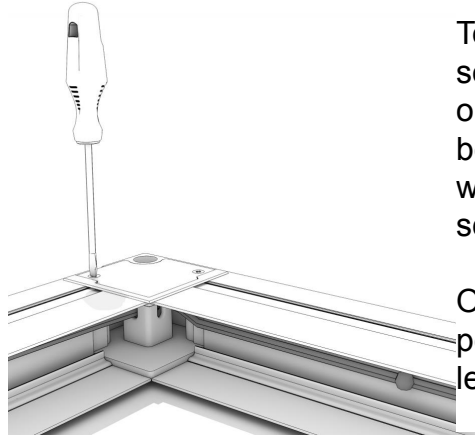
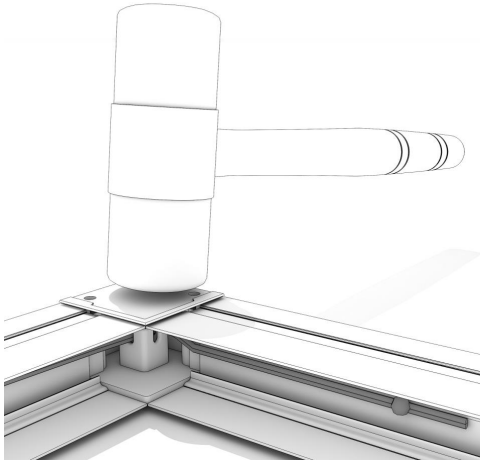


The aluminium profile with the material should remain shut and not be pulled out.

For Screens 3m+ wide join the extra profiles (top and bottom) use the supplied metal bracket and screws.

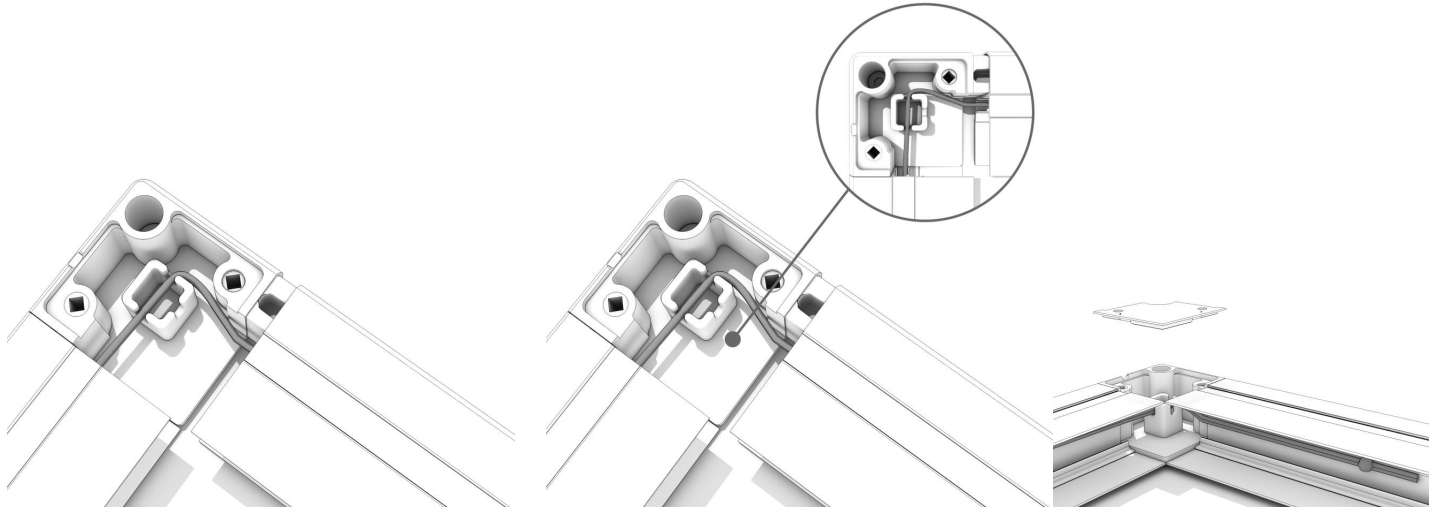


Tap the corners into the end of the profiles.

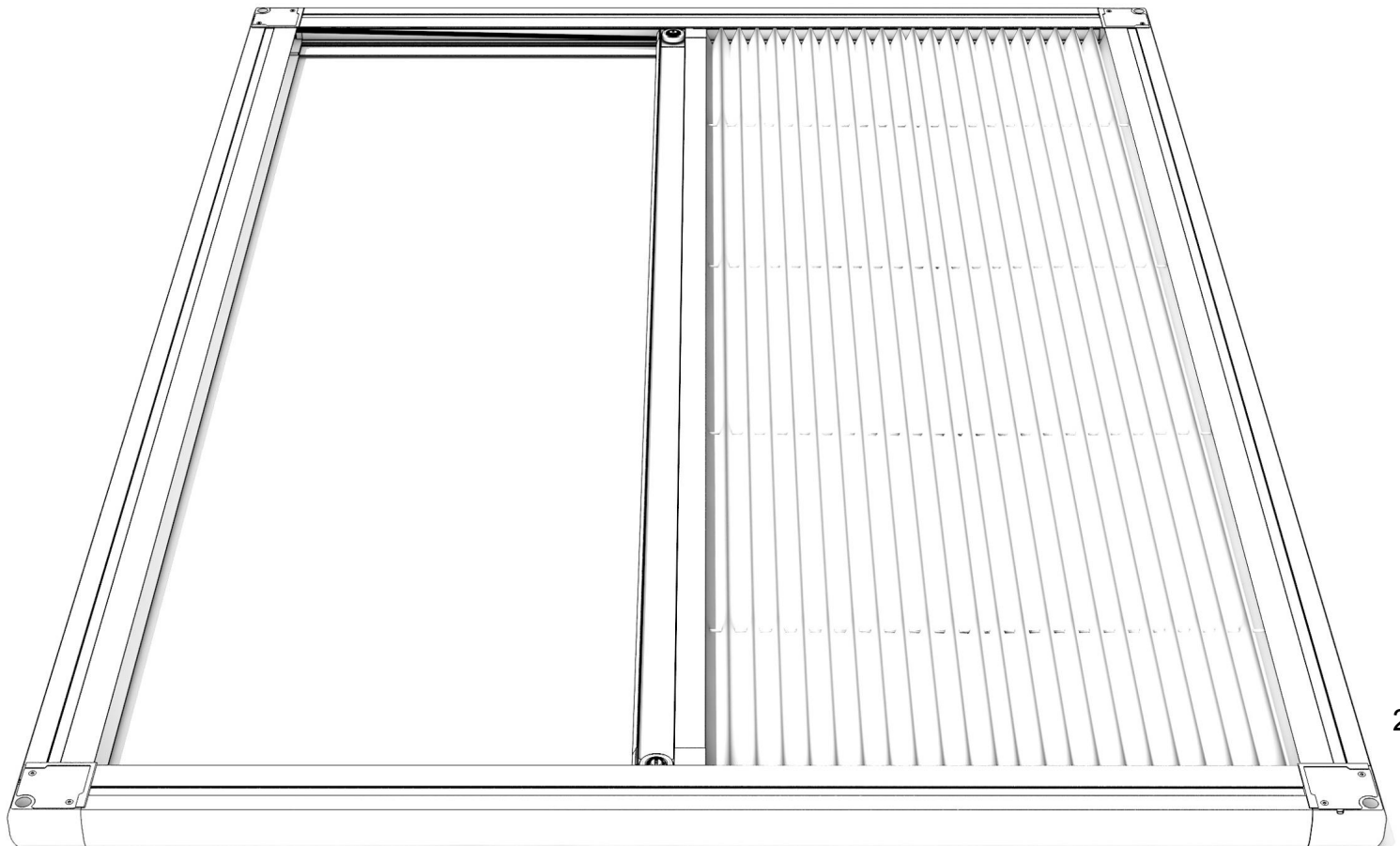


Tension the cord by securing them at the opposite corners top and bottom and hold in position with the corner cover and screw in place.

Once completed lift into position, this requires at least two people.

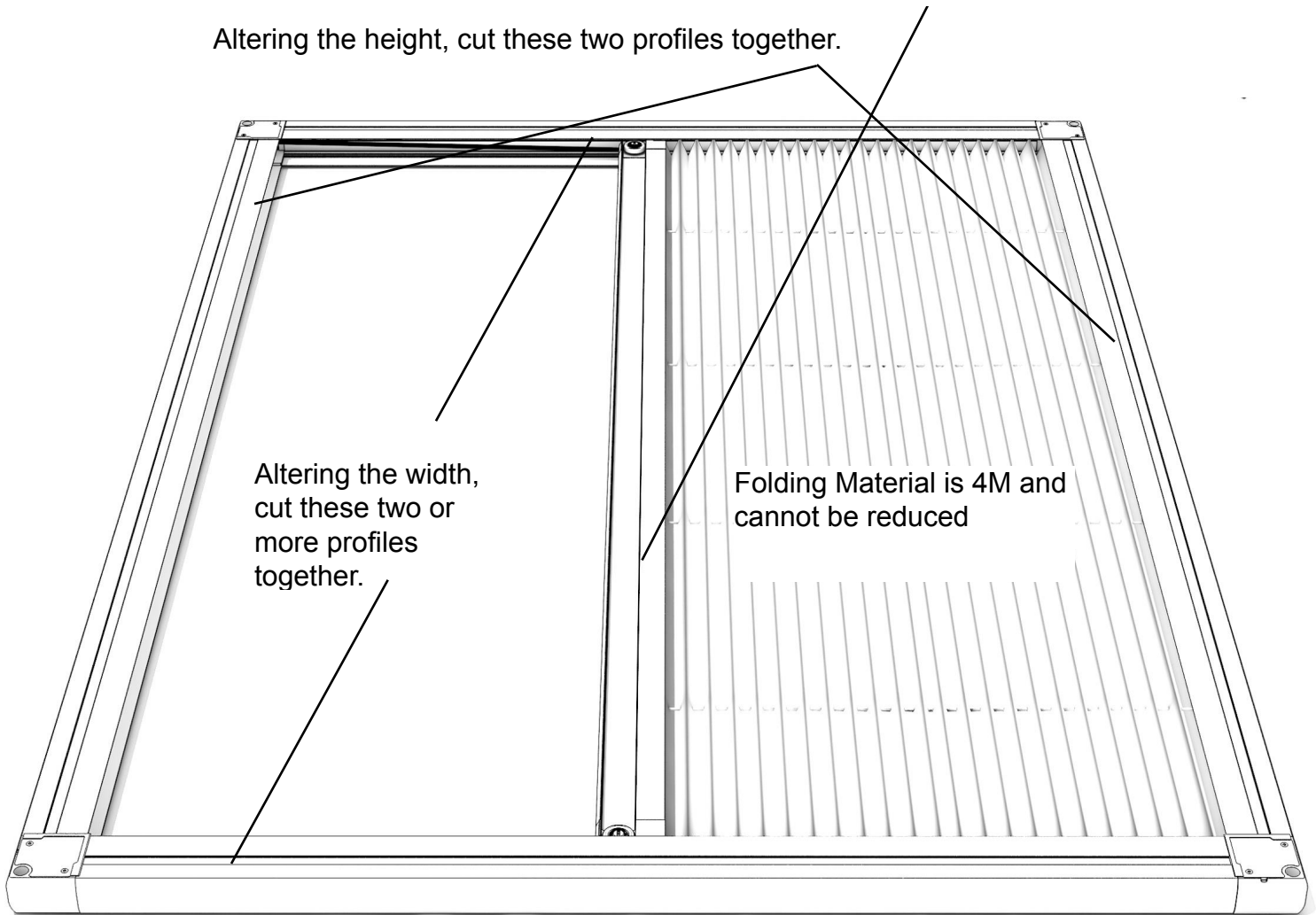


Screw the corners into the door frame. Make sure it is square. Only then release the tape and pull the screen to the shut position. You should check and retension the cords



Cut this profile 5mm shorter than the end profiles

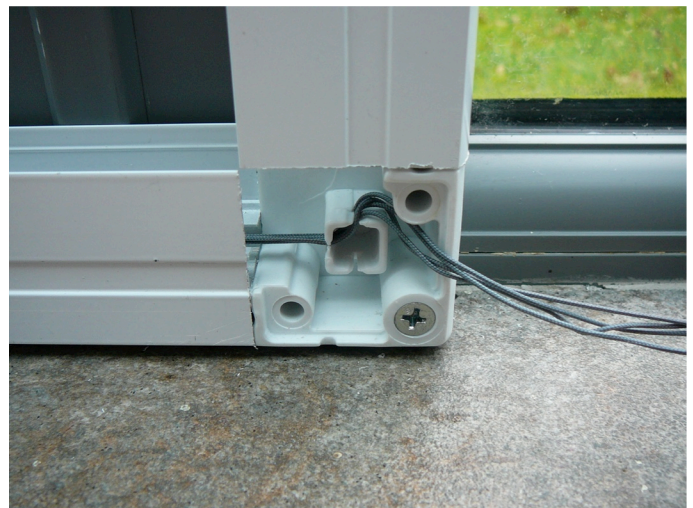
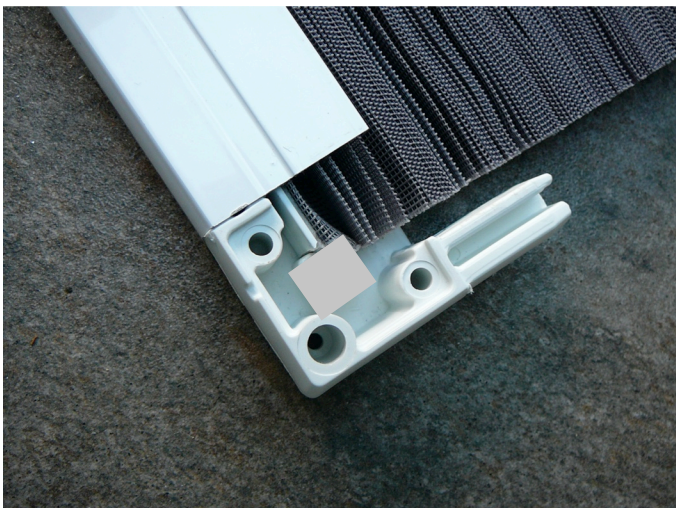
Altering the height, cut these two profiles together.



Altering the width,
cut these two or
more profiles
together.

Folding Material is 4M and
cannot be reduced

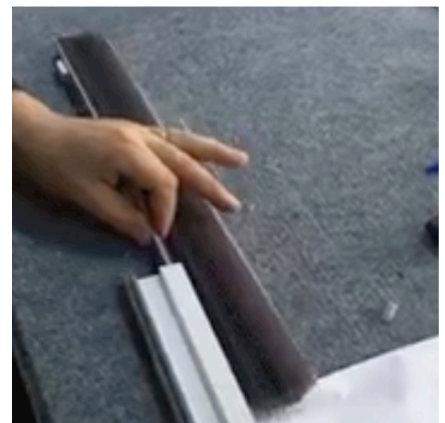
Altering the height, cut these two end profiles together. Then the middle screen profile 5mm less than the two end profiles. Then construct the frame without the screen to ensure it fits around the doorway. do not release the screen material, keep it secured until fixed in position.



To alter the width of the Folding Flyscreen cut the top and bottom profiles to the required width. Always allow for the corners which measure 4cm each. (NOTE the 4M width of the folding material cannot be reduced).

To alter the height of the screen it must first be taken apart because the mesh must be cut separately from the aluminium profile. The height can only be reduced by 30cm.

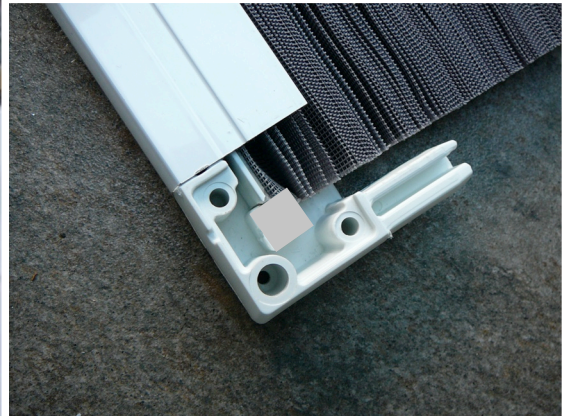
Remove one corner and one wheel from each profile and carefully slide out the mesh screen.



Cut the metal profiles 4cm less than the required height to allow for the corners.
Cut the mesh screen 3cm less than the required height.



Cut the white plastic backing on the mesh screen with scissors by 0.5cm on both sides so that it will sit in the corners correctly.



DO NOT CUT THE CORD

Re insert the mesh screen back into the profiles and reattach the corners and wheels. Please ensure that the cords are pulled taut and not caught in any way as this will stop the door from working effectively. PLEASE NOTE THAT the small silver rings on the end of each cord may become trapped so squeeze them flat with pliers.

Once it is fitted and operating as you wish, only then should you cut any excess cord.

If the screen does not pull across one of the cords could have become twisted on itself and you may have to disassemble the material to check each cord.

Parts List
Metal Joining Brackets for top and bottom profiles

Four fixing screws for corners

Covers for the corners fitted opposite to the screen material

Corners fitted opposite to the screen material

Wheels already fitted you will have spares



Corners fitted to the screen material side